

GRABER. | DELIGHT IN
EVERY DETAIL

Graber Classic Roman Shades
US Price Guide

January 2026

CLASSIC ROMAN SHADES

Product Information Guide

Features

Summary, Features and Benefits, Oeko-Tex® Standard 100 Certified Fabrics	2
Fabric Styles and Information, Light Control and Privacy, Fabric Disclaimers	3

Size Considerations

Cordless Lift	4
Continuous-Loop Lift	5

Options

Shade Options	6
Continuous-Loop Lift, Cordless Lift	7
Motorized Lift, Fabric Valance Only	8
Multiple Shades on One Headrail, Bead Trim, Gimp Trim	9
Corner Windows	10
Bay Windows	11

General Information

Shade Stack Height Chart, Bottom Panel Heights	12
Panel Count Chart: Continuous-Loop Lift, Cordless and Motorized Lift	13
Flat Style Product Detail	14
Looped Style Product Detail	15
Continuous-Loop Lift Product Detail	16
Cordless Lift Product Detail	17

PLEASE NOTE:

Photos and illustrations are for inspiration only.
Not all product configurations are available in all countries.

Window blinds with a damaged or loose tension device or retractable cord that fails to fully retract pose a strangulation risk to children. To avoid this potential strangulation risk, consider purchasing cordless products or products with inaccessible cords.

GRABER®

MAY 2024

(5/24) 24-523152

Features

Summary

Graber® Classic Roman Shades offer the softness of drapery with the practicality of a shade, featuring a variety of fabric styles, colors, textures, and light control options. Select either the classic flat or the looped style—whichever shade best suits your decorating style.

- Finished edges guarantee fabric will not fray
- Fabric valance, **free of charge** at the time of order, creates a finished look
- Clear sill rail protects the bottom of the shade from dirt and wear
- Oeko-Tex® certified fabrics
- Components are color coordinated to fabric

Features	Benefits
Looped Style with Soft Folds of Fabric	<ul style="list-style-type: none"> • Provides a dimensional look with an emphasis on elegance
Flat Style with Fabric Panels	<ul style="list-style-type: none"> • Provides classic styling; perfect for any decorating style
Neutral Street Side Appearance	<ul style="list-style-type: none"> • Windows have consistent look from the street
Finished Edges	<ul style="list-style-type: none"> • Prevents edges from fraying • Authentic collection fabrics do not have surged edges
All Panels Always Full Size; Bottom Panel Adjusted According to Height of Shade	<ul style="list-style-type: none"> • Gives improved appearance when multiple shades are used in the same room
All Shade Components are Color Coordinated	<ul style="list-style-type: none"> • Color coordination with front fabric for a clean, neat look
Fabric Valance or Cornice	<ul style="list-style-type: none"> • Provides a finished look to the top of the shade • NOTE: Valance free of charge at the time of order
Shade is One Continuous Piece of Fabric	<ul style="list-style-type: none"> • Provides a unified, finished appearance
Continuous-Loop Lift	<ul style="list-style-type: none"> • Helps lift large, heavier shades
Cordless Lift	<ul style="list-style-type: none"> • Provides safety with no external cords on front side • Clean aesthetics • Perfect for homes with children and pets
Motorized Lift	<ul style="list-style-type: none"> • Allows easy operation of hard-to-reach or large shades • Provides safety; no external cords on front side
Multiple Shades on One Headrail	<ul style="list-style-type: none"> • Provides a fabric solution for wider windows
Limited Lifetime Warranty	<ul style="list-style-type: none"> • Provides assurance for years of trouble-free operation
Mylar Tubes Inserted Between the Roman Panels Prior to Shipping	<ul style="list-style-type: none"> • Reduces wrinkling during shipping

Oeko-Tex® Standard 100 Certified Fabrics

Oeko-Tex Standard 100 certifies that our fabrics are free of PVC, halogen, lead, formaldehyde, allergenic dyes, pesticides, phenols, heavy metals, and meet all VOC content limits.

www.oeko-tex.com



Features

Fabric Styles and Information

Fabric Styles	Fabric Width (inches)	Light Control	Privacy	Color to Street Side	Fabric Content	Oeko-Tex Certification
Austere	72	Light filtering	Moderate	Neutral	100% polyester with polyester backing	Yes
Authentic	72	Light filtering	Moderate	Neutral	100% polyester with polyester backing	Yes
Connections	72	Light filtering	Moderate	Neutral	100% polyester with polyester backing	Yes
Cristale	72	Light filtering	Moderate	Neutral	100% polyester with polyester backing	Yes
Crossweave	72	Light filtering	Moderate	Neutral	100% polyester with polyester backing	Yes
Descant	72	Light filtering	Moderate	Neutral	93% polyester / 4% cotton / 3% flax with polyester backing	Yes
Desert	72	Light filtering	Moderate	Neutral	100% polyester with polyester backing	Yes
Grasses	72	Light filtering	Moderate	Neutral	88% polyester / 7% cotton / 5% flax with polyester backing	Yes
Madrid	72	Light filtering	Moderate	Neutral	100% polyester with polyester backing	No
Moments	72	Light filtering	Moderate	Neutral	100% polyester with polyester backing	Yes
Nobility	72	Light filtering	Moderate	Neutral	100% polyester with polyester backing	Yes
Orrin	76	Sheer	Minimal	Same Front and Back	100% polyester	Yes
Revival	72	Light filtering	Moderate	Neutral	93% polyester / 4% cotton / 3% flax with polyester backing	Yes
Suburban	72	Room darkening	Complete	Neutral	100% polyester with blackout backing	Yes
Tenor	72	Light filtering	Moderate	Neutral	100% polyester with polyester backing	Yes
Versailles	72	Light filtering	Moderate	Neutral	100% polyester with polyester backing	Yes
Villanelle	70	Light filtering	Moderate	Neutral	100% polyester with polyester backing	No
Watford	72	Light filtering	Moderate	Neutral	100% polyester with polyester backing	Yes
Watford II	72	Room darkening	Complete	Neutral	100% polyester with blackout backing	Yes

Light Control and Privacy

Sheer: Semi-transparent fabric that allows light to filter through. Images and shapes can be seen through these shades.

Light Filtering: Allows light to gently filter through and provides privacy. Images and shapes may be seen through these shades, but details are not visible. Deep fabric color provides moderate light control; light fabric color provides lower light control.

Room Darkening: Allows some light to filter into the room and provides privacy. Objects in a lit room seen through these shades appear as vague shapes. Deep fabric color darkens a room; light fabric color filters and diffuses bright sunlight.

Fabric Disclaimers

To ensure color consistency and avoid dye lot variation, please order all shades for the same room at the same time.

Fabrics cannot be seamed or overlapped.

Colors may appear to vary depending on the time of day and lighting type as well as when the shade is partially or fully lowered.

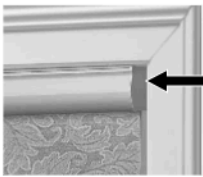
Size Considerations

Cordless Lift

Fabric Styles	Maximum Fabric Width (inches)	Cordless Lift				Cordless Lift Multiple Shades on One Headrail				
		Width		Height		Width			Height	
		Min* (inches)	Max	Min (inches)	Max (inches)	Min Panel* (inches)	Max Panel	Max Shade (inches)	Min Shade (inches)	Max Shade (inches)
		Austere	72	18	See fabric width	18	86	18	See fabric width	144
Authentic	72									
Connections	72									
Cristale	72									
Crossweave	72									
Descant	72									
Desert	72									
Grasses	72									
Madrid	72									
Moments	72									
Nobility	72									
Orrin	76									
Revival	72									
Suburban	72									
Tenor	72									
Versailles	72									
Villanelle	70									
Watford	72									
Watford II	72									


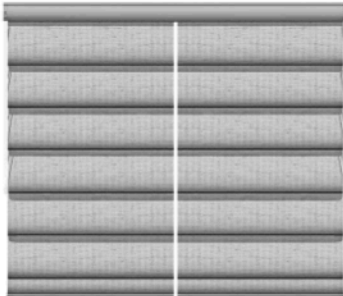
*For all inside mount applications, 3/8" deduction is taken by manufacturer on overall width.

Depth Requirements for Inside Mount

	Cordless Lift Headrail Dimensions (inches)	 Partially recessed headrail in window casing/molding Minimum Depth Mount (inches)	 Fully recessed headrail in window casing/molding Flush with Casing (inches)
Flat	1 ^{9/16} x 2 ^{1/8}	5/8	2%
Looped	1 ^{9/16} x 2 ^{1/8}	5/8 (fabric loops will overhang approximately 3" into room)	2% (fabric loops will overhang approximately 1" into room)

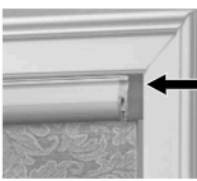
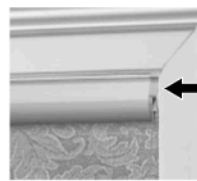
Size Considerations

Continuous-Loop Lift

Fabric Styles	Maximum Fabric Width (inches)	 Continuous-Loop Lift				 Continuous-Loop Lift Multiple Shades on One Headrail					
		Width		Height		Width			Height		
		Min* (inches)	Max	Min (inches)	Max (inches)	Min Panel* (inches)	Max Panel	Max Shade One Control (inches)	Max Shade Two Control (inches)	Min Shade (inches)	Max Shade (inches)
Austere	72										
Authentic	72										
Connections	72										
Cristale	72										
Crossweave	72										
Descant	72										
Desert	72										
Grasses	72										
Madrid	72										
Moments	72	18	See fabric width	18	96	18	See fabric width	120	144	18	96
Nobility	72										
Orrin	76										
Revival	72										
Suburban	72										
Tenor	72										
Versailles	72										
Villanelle	70										
Watford	72										
Watford II	72										

*For all inside mount applications, 3/8" deduction is taken by manufacturer on overall width.

Depth Requirements for Inside Mount

	Continuous-Loop Lift Headrail Dimensions (inches)	 Partially recessed headrail in window casing/molding Minimum Headrail Depth Mount (inches)	 Fully recessed headrail in window casing/molding Headrail Flush with Casing (inches)
Flat	1 ⁹ / ₁₆ x 2 ¹ / ₈	5/8	2%
Looped	1 ⁹ / ₁₆ x 2 ¹ / ₈	5/8 (fabric loops will overhang approximately 3" into room)	2% (fabric loops will overhang approximately 3" into room)

Options

Shade Options (for surcharges and pricing refer to price charts)

The following is a list of options for Classic Roman shades. All options are available in all styles and colors. Limitations will be based on fabric width. See detailed descriptions on the following pages.

Control Type Options: see price charts for applicable cost and/or surcharges

- Continuous-loop lift
- Cordless lift
- Motorized lift: see motorization product information guide

Shade Options—No Charge

- Bay and corner window shades
- Fabric valance (at time of order)
- Hold down brackets
- Projection brackets:
 - Long (adds up to 2½" extension from wall)
 - Medium (adds up to 1⅝" extension from wall)
 - Short (adds up to 1" extension from wall)
- Shims: ⅜"
- Side-mount brackets (inside mount only)

Shade Style Choices: see price charts for applicable cost

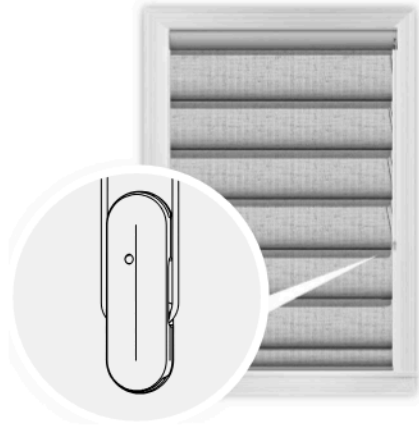
- 6" flat style shade
- 4⅝" looped pleat style shade

Shade Options—Surcharge

- Multiple shades on one headrail
- Valance gimp, bead trim
- Wood cornices: see wood cornice and valance product information guide

Options

Continuous-Loop Lift

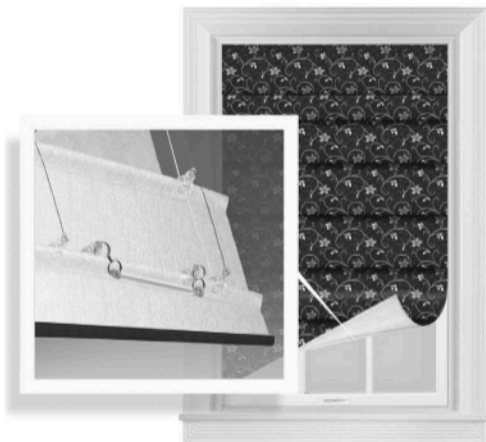


- For surcharge, see price charts
- A single, white continuous-loop lift cord raises and lowers the shade; the cord is always the same length
- The clutch mechanism in the color coordinated aluminum headrail assists in raising and lowering the shade; it stops the shade at any point and holds the bottomrail level
- Continuous-loop lift comes with a locking cord loop guide; for shade operation, this tensioner must be installed
- Available on both flat and looped styles
- Control length for continuous-loop lift shades varies based on the finished shade height (see below); optional cord loop length (sizes listed in chart) available upon request

Finished Shade Height (inches)	Cord Loop Length (inches)
12 to 26	18
26 $\frac{1}{8}$ to 38	24
38 $\frac{1}{8}$ to 50	36
50 $\frac{1}{8}$ to 62	48
62 $\frac{1}{8}$ to 74	60
74 $\frac{1}{8}$ to 96	72

Optional cord lengths: 84", 96", and 108".

Cordless Lift



Horizontal Wand

- Provides safety with no external cords on front of shade
- Ideal for homes with children or pets
- Provides clean aesthetics
- Available on both flat and looped styles
- Vertical wand is used with bottom panels greater than 2 $\frac{3}{4}$ "
- Horizontal wand is used with bottom panels less than 2 $\frac{3}{4}$ "
- Shades wider than 48" have two wands for shade operation

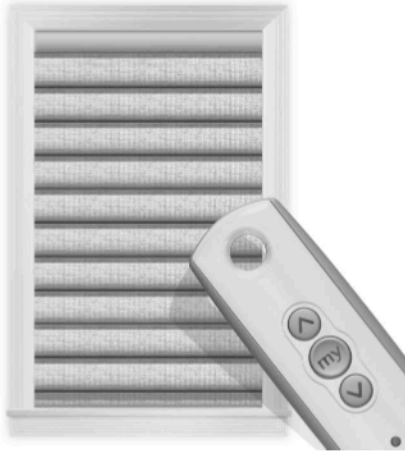
NOTE: All cordless lift shades need to be used on windows where consumers can comfortably raise and lower them.



Vertical Wand

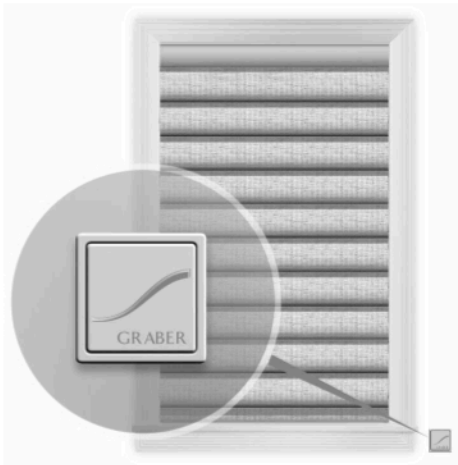
Options

Motorized Lift

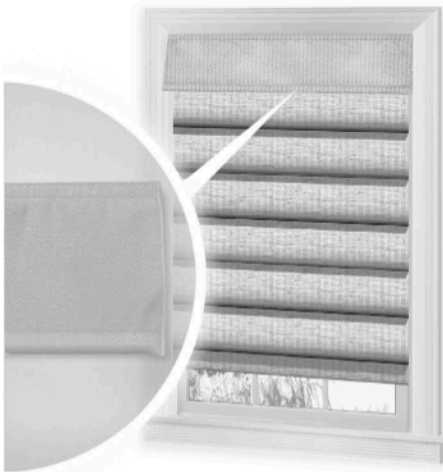


- Refer to motorization product information guide for additional options, sizing, and pricing
- Window treatments can be operated from virtually anywhere in the home
- Provides easy operation of hard-to-reach or large window coverings
- Efficiently manages energy (heat gain and loss)
- Operates multiple window treatments simultaneously or individually
- Ideal for homes with children and pets
- Easily integrated with home automation systems
- Low voltage motorization requires no costly electrical hardwiring
- Multiple control and power options available

NOTE: Motorization components and accessories have a five-year limited warranty, excluding batteries.



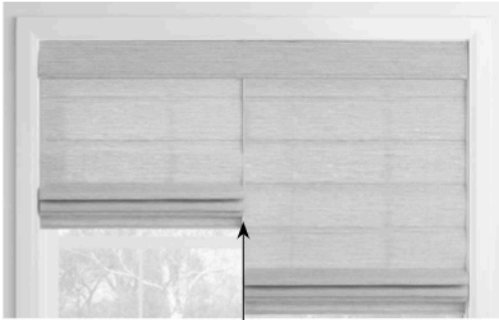
Fabric Valance Only



- Coordinating fabric valance creates an uninterrupted look and conceals the headrail
- Edges are finished and attached to the headrail with hook and loop tape
- Fabric valance returns are not available
- Continuous valance is only available up to fabric width
- Bead and gimp trims available; see trim page in shade options

Options

Multiple Shades on One Headrail



1/4" Spacing

- For surcharge, see price charts
- Available as two-on-one or three-on-one headrail with continuous-loop lift and cordless lift controls
- Available in flat and looped styles
- Standard valances on multiple shades will have the same breaks as the panels
- Continuous valance covering multiple shades is not available

	Maximum Overall Size for Multiple Shades* (inches)	Maximum Width with Side Mount (inches)	Control Locations	Gap (inches)
Continuous-Loop Lift—Single Control	120 x 96	60	Two on one: common lift cord can be on right or left to operate both shades at the same time Three on one: common lift cord can be on right or left to operate all shades at the same time	1/4
Continuous-Loop Lift—Multi Control	144 x 96	60	Two on one: left shade, left control; right shade, right control Three on one: left shade, left control; right shade, right control; middle shade, common right or left; continuous-loop lift cannot be used in the middle of the headrail on multiple shades	1/4
Cordless Lift	144 x 86	60	Not applicable	1/4
Motorized Lift	Refer to motorization product information guide			

*See size considerations or individual descriptions in the options section for maximum panels widths and heights.

Bead Trim

1" Teardrop Crystal Bead Trim



- For surcharge, see price charts
- Optional trims are attached to the bottom edge of the valances only

1" Teardrop Crystal Bead Trim

Bronze	201	White	205
Sand	204		

Gimp Trim

7/16" Gimp Trim

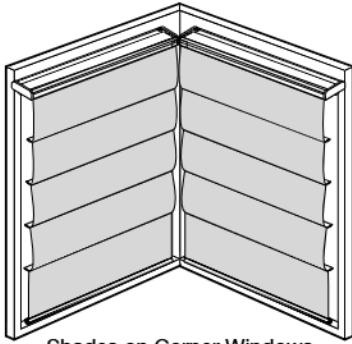


7/16" Gimp Trim

Cream	715	Tender Taupe	103
Dark Beige	350	Toffee	296
Morning Glory	639	White	417
Rock Gray	399		

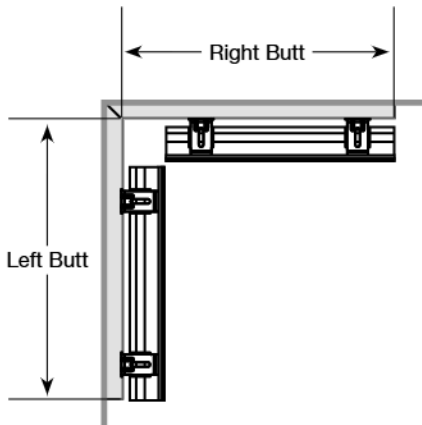
Options

Corner Windows



Shades on Corner Windows

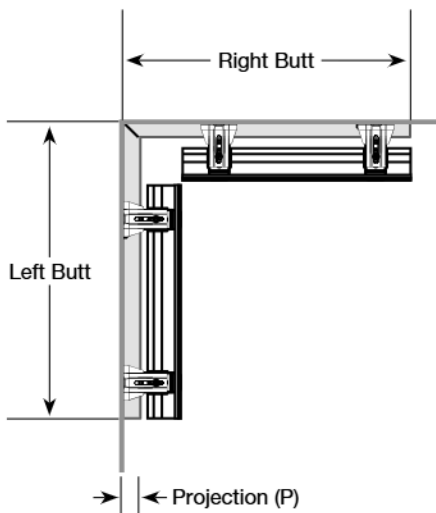
- No charge
- Made as individual shades
- Each shade will have its own control; we recommend opposite corners
- Indicate left or right for each shade
- Manufacturer will take appropriate deductions for proper fit; DO NOT order as a corner shade if you do not want manufacturer to take deductions
- **Cornices or decorative wood valances are not available on corner windows**
- Flat style is recommended for corner windows
- Looped style will have light gaps due to fabric loops



Measuring Information

Mounting on a Wall or Molding:

Measure the width of each window from the corner on the mounting surface (molding or wall) to the point you would like to cover.



Mounting Above the Molding:

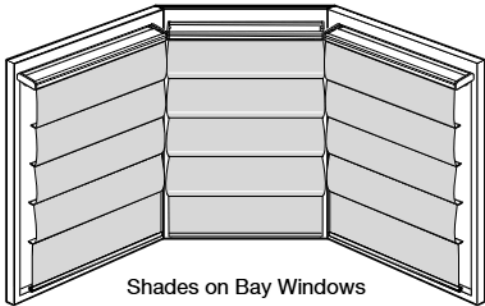
Measure the width of each window from the corner on the mounting surface to the point you would like to cover.

Projection measurement is the distance needed to clear any molding or obstructions that the shade will be mounted above.

NOTE: The projection (P) distance is needed to correctly calculate deductions for installations where the shades will use shims or projection brackets to clear molding. All projection distances must match for correct deductions to be calculated.

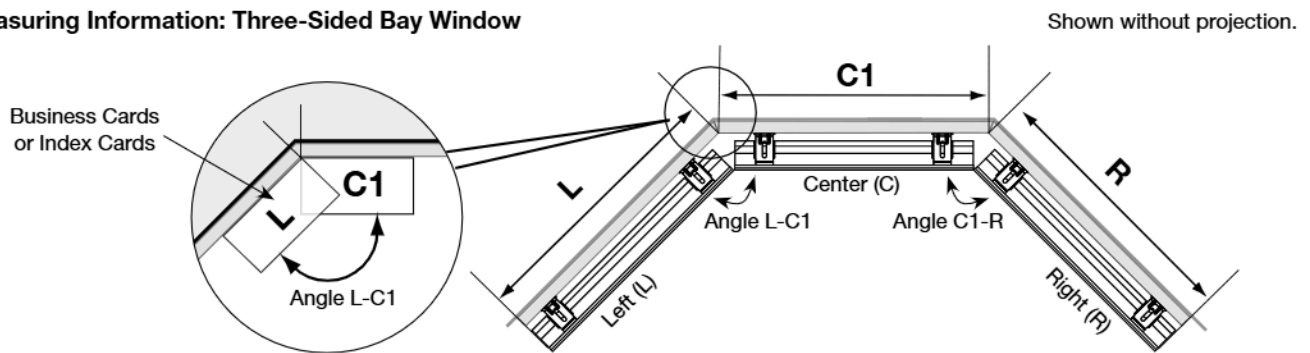
Options

Bay Windows



- No charge
- Made as individual shades
- Each section will have its own control
- Manufacturer will take appropriate deductions for proper fit; DO NOT order as a corner shade if you do not want manufacturer to take deductions
- Cornices or decorative wood valances are not available on corner windows
- Flat style is recommended for bay windows
- Looped style will have light gaps due to fabric loops

Measuring Information: Three-Sided Bay Window



Measure:

L and R: Width of each side window from the corners on the mounting surface to the point you would like to cover.

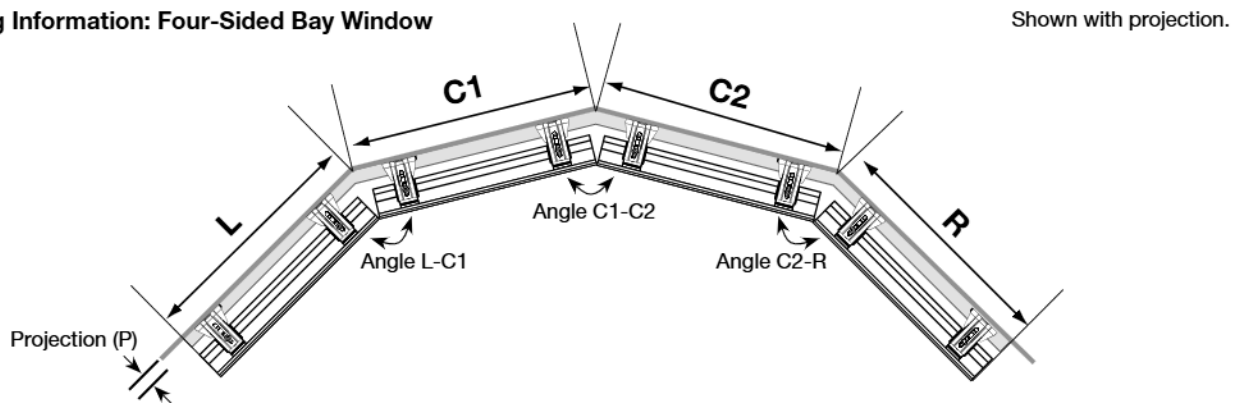
C1: Width of the center window on the mounting surface from corner to corner.

Angle L-C1: Angle between the (L) and (C1) windows.

Angle C1-R: Angle between the (C1) and (R) windows.

Projection: If needed: The depth of the trim or molding the shade will be mounted above.

Measuring Information: Four-Sided Bay Window



Measure:

L and R: Width of each side window from the corners on the mounting surface to the point you would like to cover.

C1, C2: Width of each center window on the mounting surface from corner to corner.

Angle L-C1: Angle between the (L) and (C1) windows.

Angle C1-C2: Angle between the (C1) and (C2) windows.

Angle C2-R: Angle between the (C2) and (R) windows.

Projection: If needed: The depth of the trim or molding the shade will be mounted above.

NOTE: The projection (P) distance is needed to correctly calculate deductions for installations where the shades will use shims or projection brackets to clear trim or molding. All projection distances must match for correct deductions to be calculated.

For additional windows on bays with up to five sides, continue with number progression for center shade sizes (C1, C2, C3, ...) and angles (angle C1-C2, angle C2-C3, ...), as needed.

Measure each bay angle using a protractor or angle finder, or use two business cards in each bay corner as illustrated above and fax to customer service 1-800-552-4559.

The angle to use between adjacent center bay windows along a straight section of wall is 180 degrees.

General Information

Shade Stack Height Chart

Looped

Finish Shade Height (inches)	Stack Height (inches)
Up to 29	9
29 to 41	10
41 to 58	11
58 to 75	12
75 to 96	13

Flat

Finish Shade Height (inches)	Stack Height (inches)
Up to 32	10
32 to 56	11
56 to 80	12
80 to 96	13

NOTE: Stack height includes headrail and sill rail.

This chart is an approximation of the largest stack possible for all control types at each height range.

Bottom Panel Heights

The standard panel height is 6" for flat and 4 $\frac{5}{16}$ " for looped style. Bottom panel is used as the adjustment panel to get to finished shade height. The bottom panel height varies depending on shade height. A small change in finished shade height can create significantly different looks.

For Example:

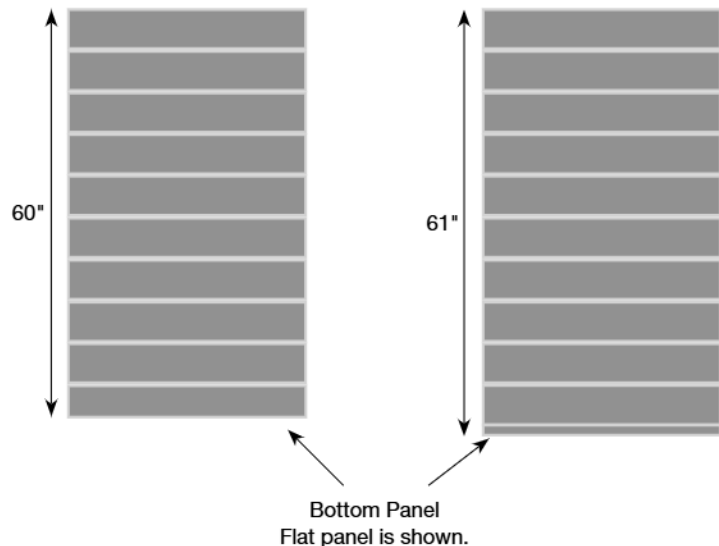
Finished Shade Height* (inches)	Flat		Looped	
	Number of Full Panels	Approximate Bottom Panel Height (inches)	Number of Full Panels	Approximate Bottom Panel Height (inches)
60	9	5 $\frac{5}{16}$	13	3 $\frac{3}{16}$
61	10	6	14	0
61	10	6	14	0
62	10	1 $\frac{1}{16}$	14	1

*Approximate.

IMPORTANT ORDERING NOTE:

For shades hanging in the same room at the same height or for groups of shades, please add the words "hanging side-by-side" to the order comments. This is important for the manufacturing process and for panel adjustments.

It is very important to consider this possible variation when ordering more than one shade for a room. For approximate panel counts, see the following pages.



General Information

Panel Count Chart: Continuous-Loop Lift, Cordless and Motorized Lift

The purpose of this information is to help the consumer visualize what their shade will look like by approximating the number of full panels and the bottom panel length. Full panel lengths are 6" for flat and 4⁵/₁₆" for looped; however, the bottom panel is used as the adjustment panel to get to finished shade height. **Therefore, the bottom panel length varies depending on shade height.** A small change in finished shade height can create significantly different looks.

This chart should be used to compare the effect of various lengths. The information can vary depending on the pleat length tolerance.

Finished Shade Height* (inches)	Flat		Looped	
	Number of Full Panels	Approximate Bottom Panel Height (inches)	Number of Full Panels	Approximate Bottom Panel Height (inches)
18	2	4½	3	3¾
19	2	5½	4	¼
20	3	½	4	1¼
21	3	1½	4	2¼
22	3	2½	4	3¼
23	3	3½	4	4¼
24	3	4½	5	1
25	3	5½	5	2
26	4	½	5	3
27	4	1½	5	4
28	4	2½	6	¾
29	4	3½	6	1¾
30	4	4½	6	2¾
31	4	5½	6	3¾
32	5	½	7	¾
33	5	1½	7	1¾
34	5	2½	7	2¾
35	5	3½	7	3¾
36	5	4½	8	0
37	5	5½	8	1
38	6	½	8	2
39	6	1½	8	3
40	6	2½	8	4
41	6	3½	9	¾
42	6	4½	9	1¾
43	6	5½	9	2¾
44	7	½	9	3¾
45	7	1½	10	¾
46	7	2½	10	1¾
47	7	3½	10	2¾
48	7	4½	10	3¾
49	7	5½	11	¾
50	8	½	11	1¾
51	8	1½	11	2¾
52	8	2½	11	3¾
53	8	3½	11	4¾
54	8	4½	12	¾
55	8	5½	12	1¾
56	9	½	12	2¾
57	9	1½	12	3¾

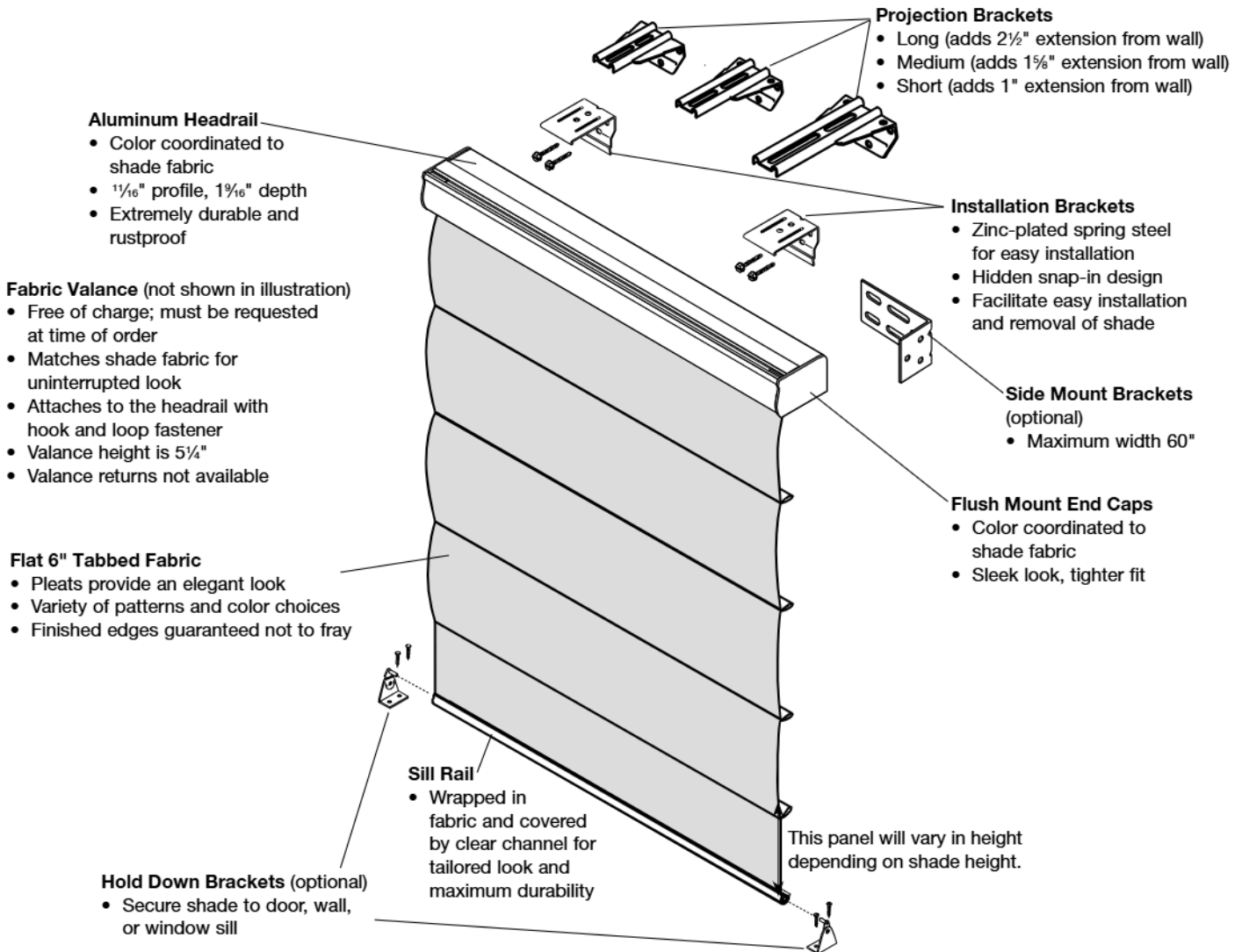
Finished Shade Height* (inches)	Flat		Looped	
	Number of Full Panels	Approximate Bottom Panel Height (inches)	Number of Full Panels	Approximate Bottom Panel Height (inches)
58	9	2½	13	½
59	9	3½	13	1½
60	9	4½	13	2½
61	9	5½	13	3½
62	10	½	14	¾
63	10	1½	14	1¾
64	10	2½	14	2¾
65	10	3½	14	3¾
66	10	4½	14	4¾
67	10	5½	15	¾
68	11	½	15	1¾
69	11	1½	15	2¾
70	11	2½	15	3¾
71	11	3½	16	½
72	11	4½	16	1½
73	11	5½	16	2½
74	12	½	16	3½
75	12	1½	17	¾
76	12	2½	17	1¾
77	12	3½	17	2¾
78	12	4½	17	3¾
79	12	5½	17	4¾
80	13	½	18	¾
81	13	1½	18	1¾
82	13	2½	18	2¾
83	13	3½	18	3¾
84	13	4½	19	¾
85	13	5½	19	1¾
86	14	½	19	2¾
87	14	1½	19	3¾
88	14	2½	20	¾
89	14	3½	20	1¾
90	14	4½	20	2¾
91	14	5½	20	3¾
92	15	½	20	4¾
93	15	1½	21	1
94	15	2½	21	2
95	15	3½	21	3
96	15	4½	21	4

*Finished shade height equals ordered height; there are no factory deductions for height.

EXAMPLE: A flat shade with a 48" finished shade height will have seven full panels and the eighth panel will be approximately 5¾" long.

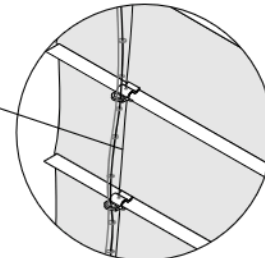
General Information

Flat Style Product Detail



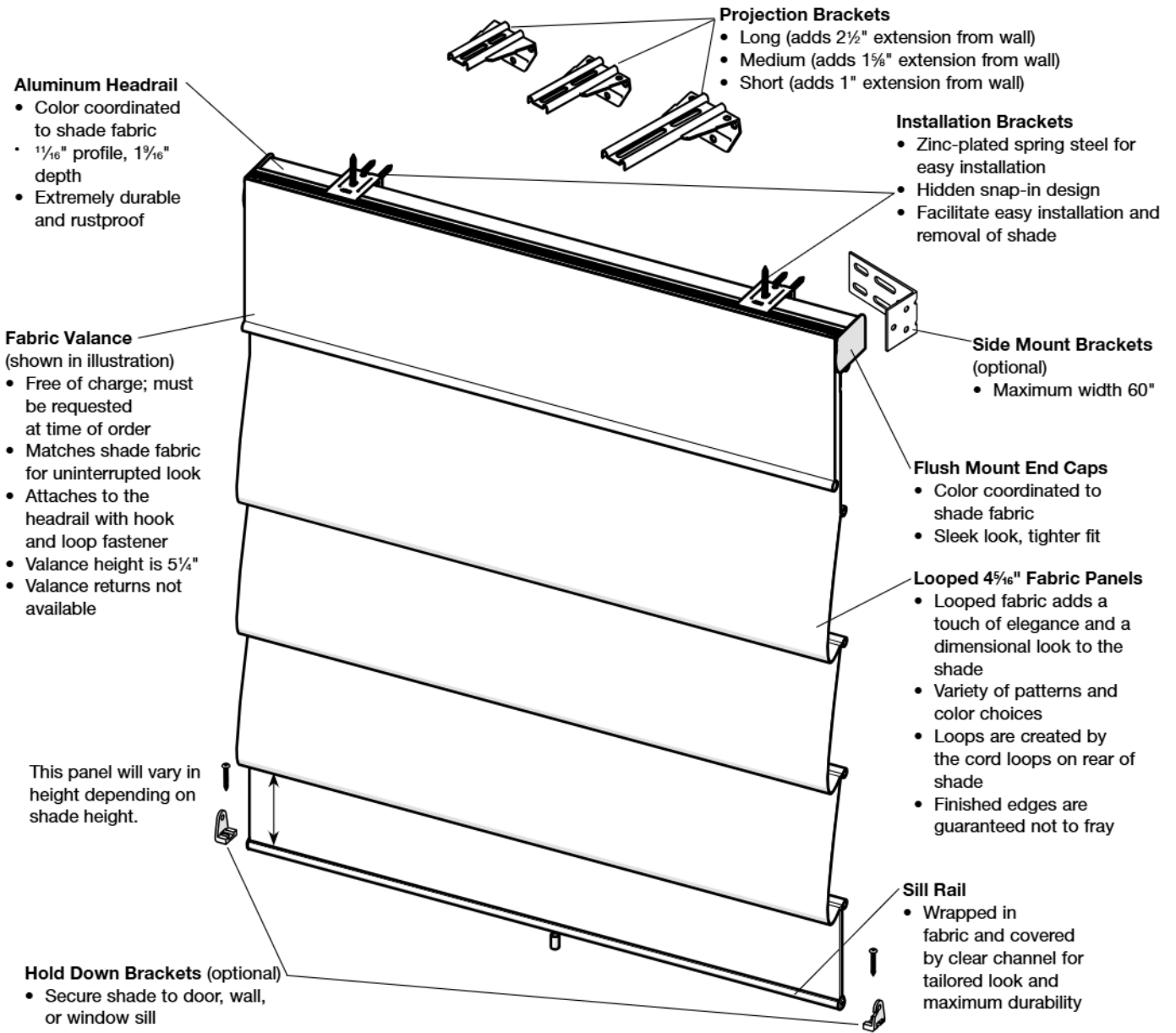
Back View with Safety Loop Cord

- Safety Loop Cord**
- Prevents cord from being easily pulled away from the shade and forming a loop



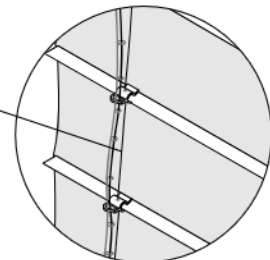
General Information

Looped Style Product Detail



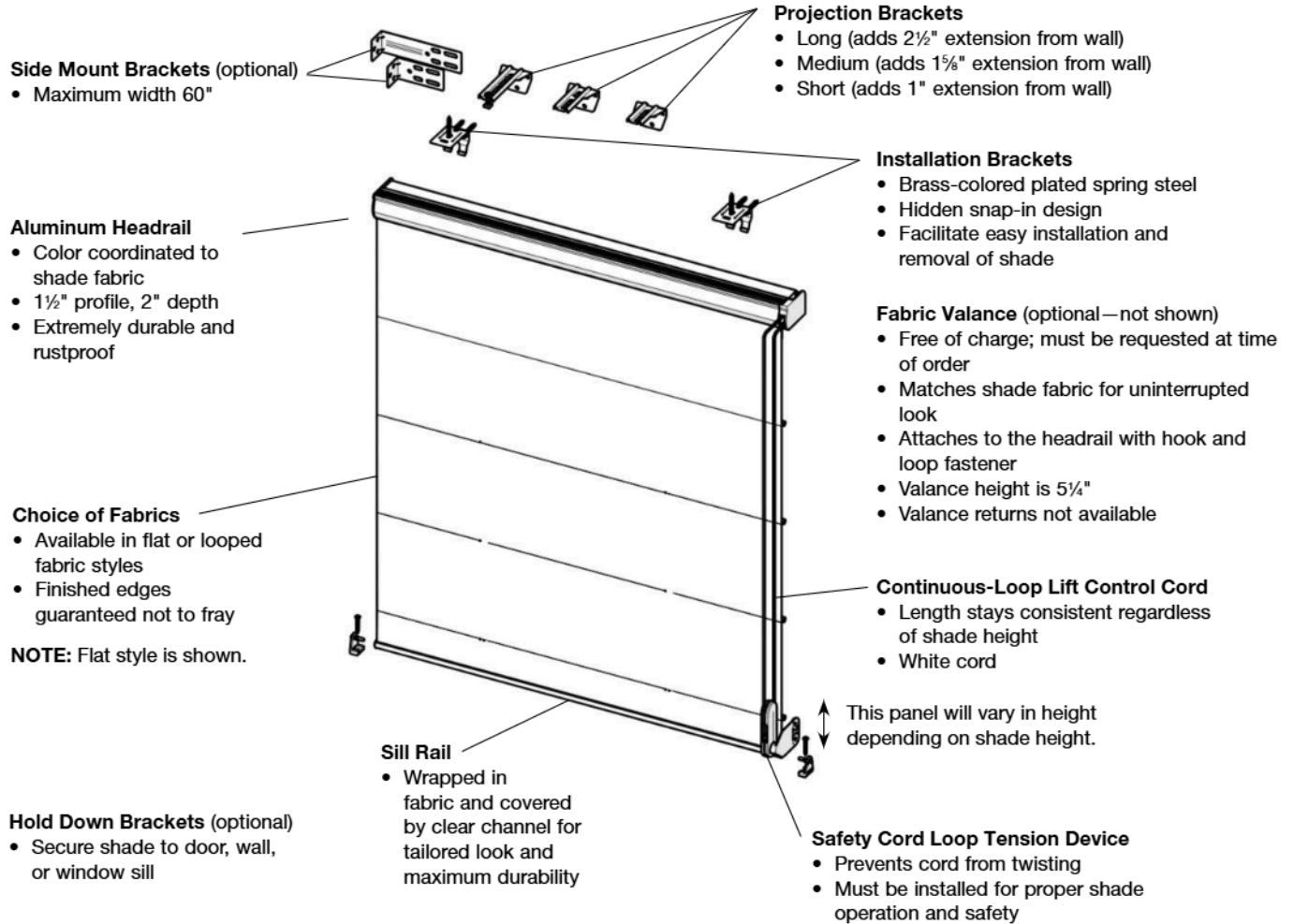
Back View with Safety Loop Cord

- Safety Loop Cord**
- Prevents cord from being easily pulled away from the shade and forming a loop

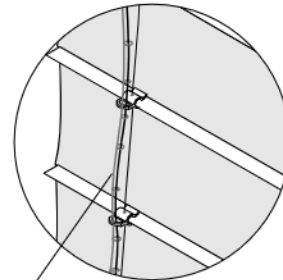


General Information

Continuous-Loop Lift Product Detail



Back View with Safety Loop Cord

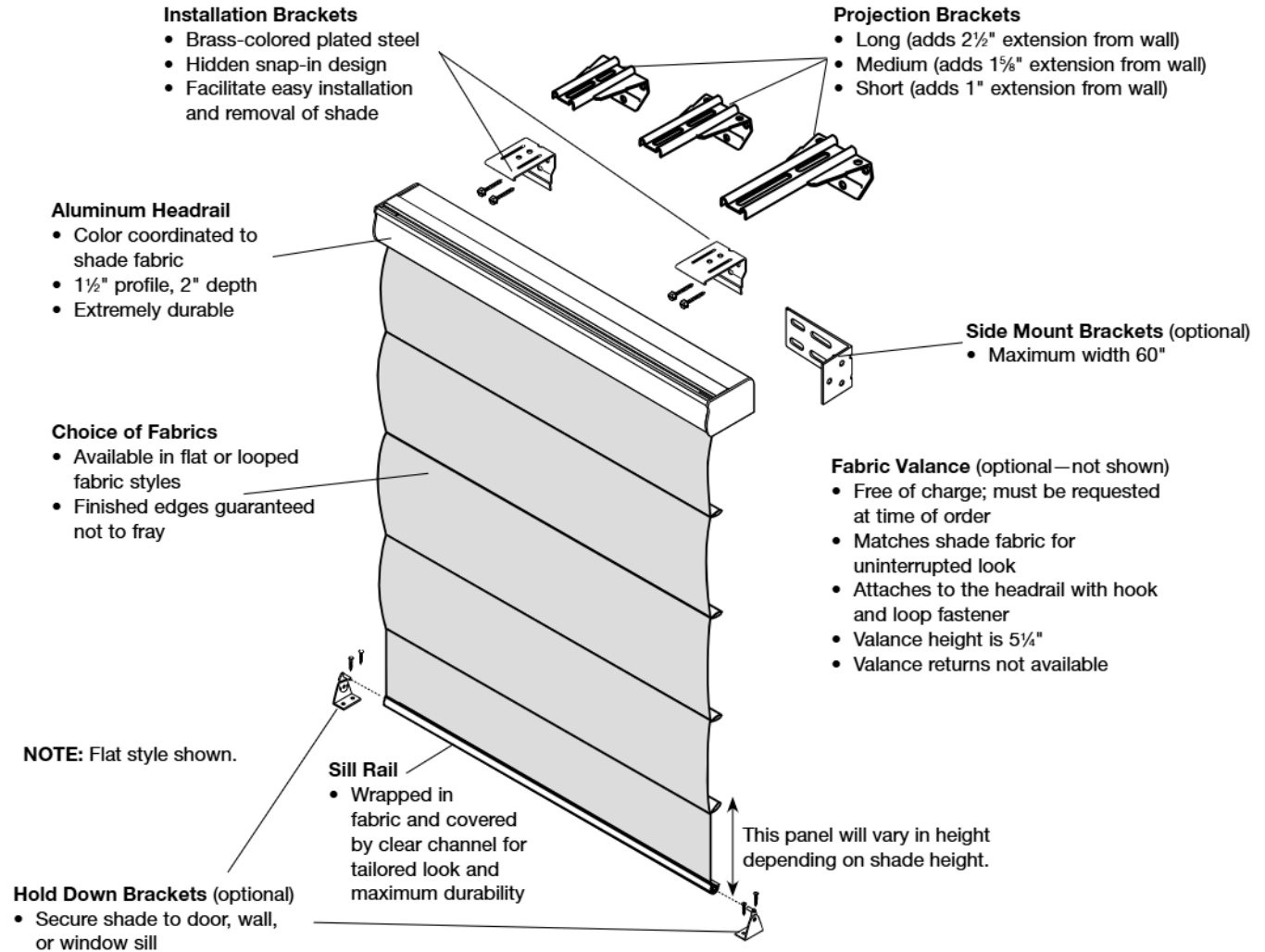


Safety Loop Cord

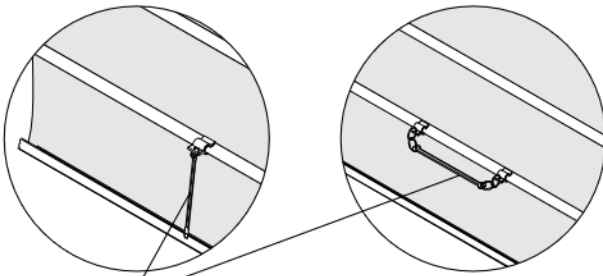
- Prevents cord from being easily pulled away from the shade and forming a loop

General Information

Cordless Lift Product Detail



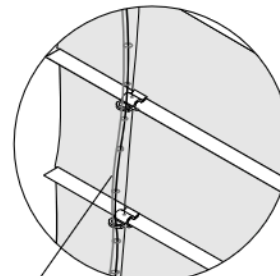
Back View with Vertical and Horizontal Wands



Hidden Wand

- For ease of opening and closing shade without touching fabric
- Vertical wand is used with bottom panels greater than 2¾" in height
- Horizontal wand is used with bottom panels less than 2¾" in height
- Shades wider than 48" will have two wands for shade operation

Back View with Safety Loop Cord



Safety Loop Cord

- Prevents cord from being easily pulled away from the shade and forming a loop

NOTE: All cordless lift shades need to be used on windows where consumers can comfortably raise and lower them.